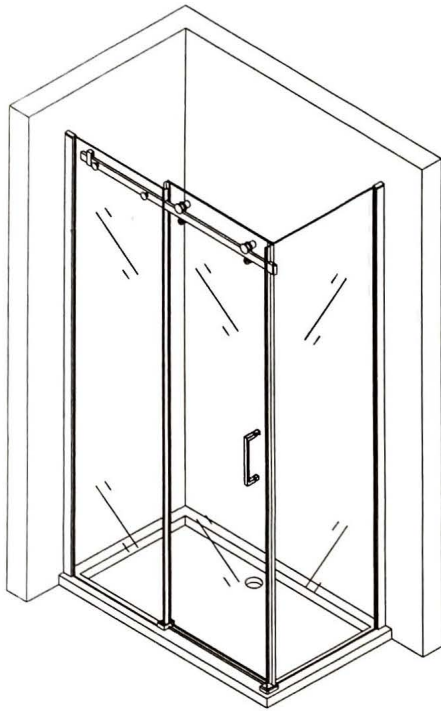
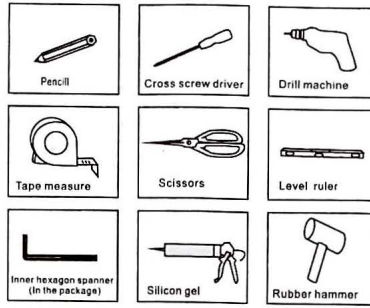


INSTALLATION MANUAL

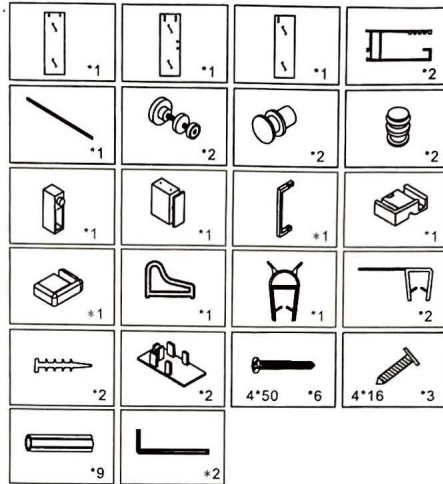


EX-802N

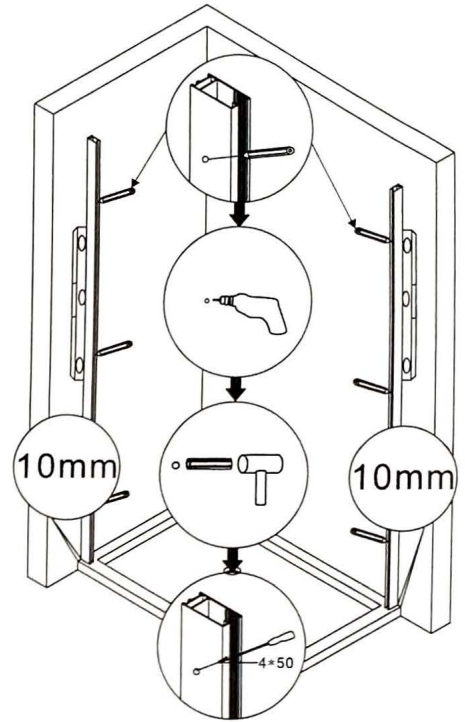
TOOL PICTURE



Accessory list



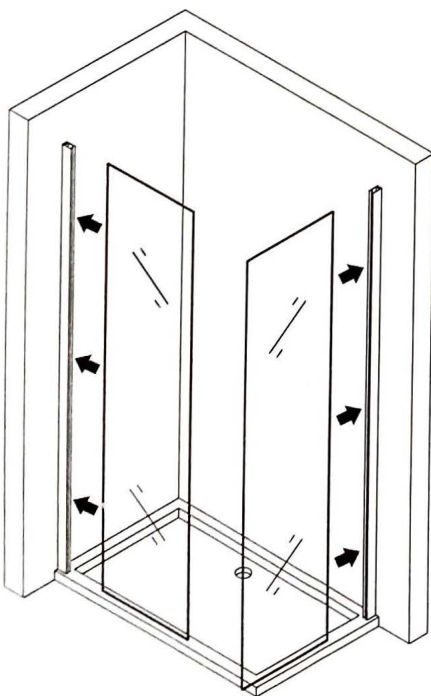
1. Put the shower tray on the floor and make it level by ruler as picture shows.
2. According to the picture, put the wall aluminum profile against wall and make it straight, draw holes and lines, then drill holes by drill, after that, insert the expansion tube into the holes and fix it.
3. Notice: As picture shows, leave 10mm between the edge of tray and the wall aluminum profile.



1

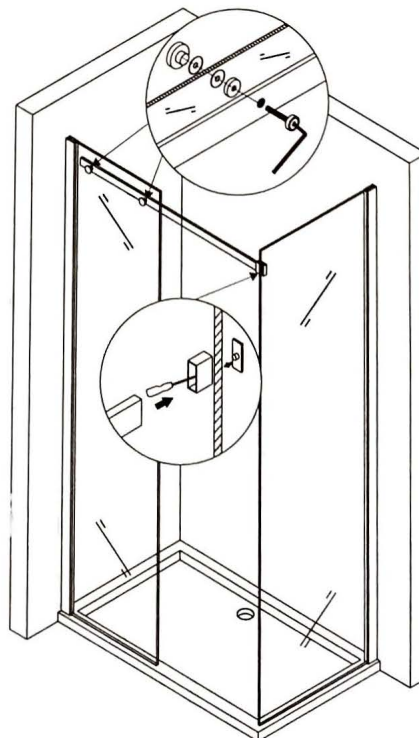
2

1. Insert the fixed glass into the wall aluminum profile.



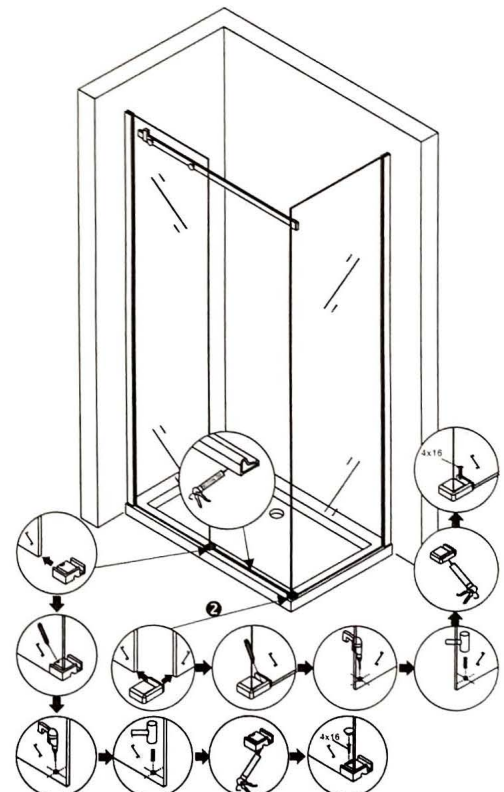
3

1. Install the rail bar.



4

1. Install the bottom aluminum strip as picture shows and put silicon.

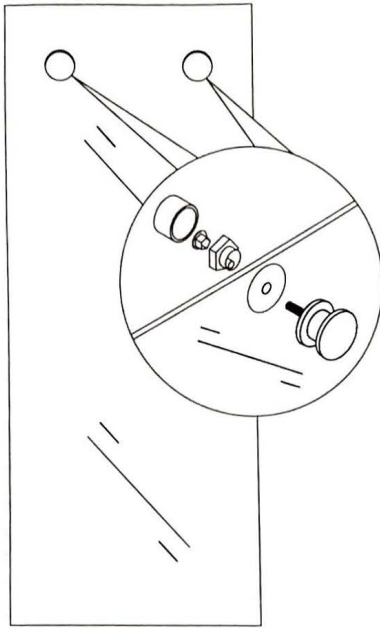


5

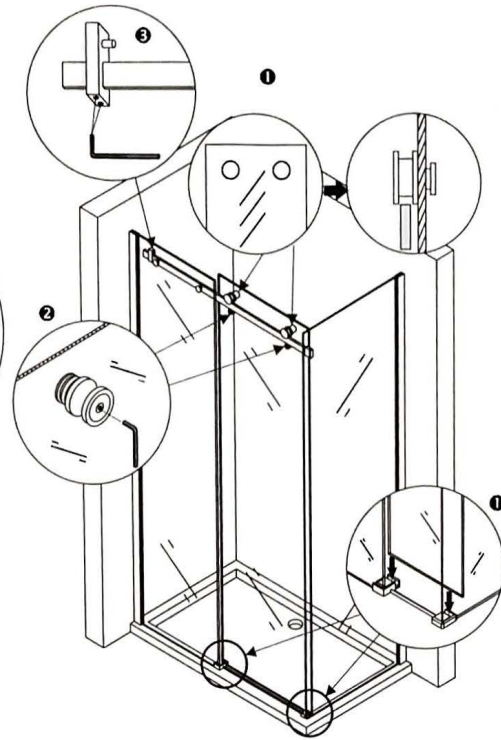
1. Install the top wheel on the glass door.
 Note: The top wheel is adjustable, if you find that the wheel doesn't slide smoothly after install the shower enclosure, you can use enclosed allen wrench to adjust top wheel as picture shows.

1. Put the door on the stainless steel track.
 2. Install the anti-jump roller as the picture shows.
 3. Install the stopper on the stainless steel track.

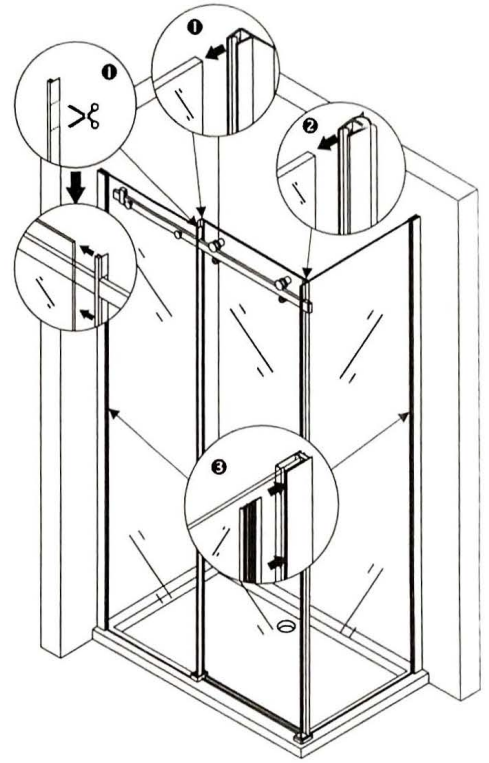
1. Install the water proof gasket on the glass door.
 2. Install the gasket which in step 2.
 3. Insert the seal between glass and aluminum profile.



6

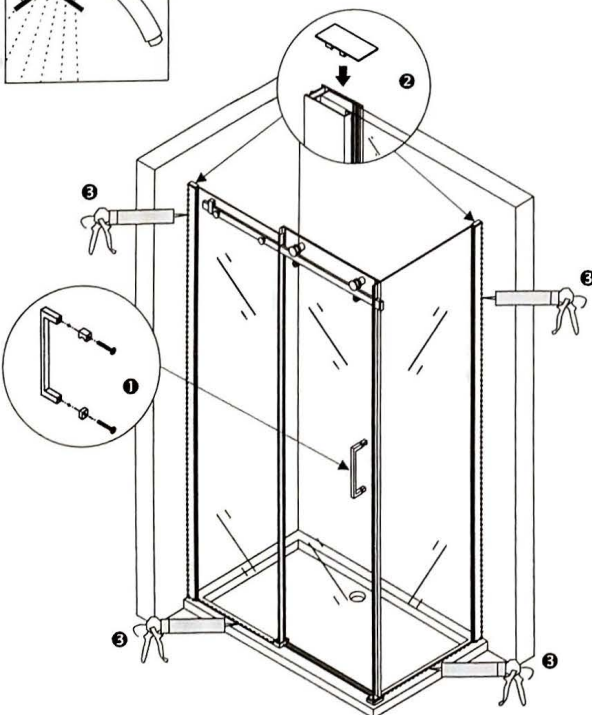
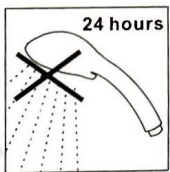


7



8

1. Install the handle on the glass door.
 2. Install the decorative cover on the top of aluminum profile.
 3. Put the silicon gel as picture shows.



9