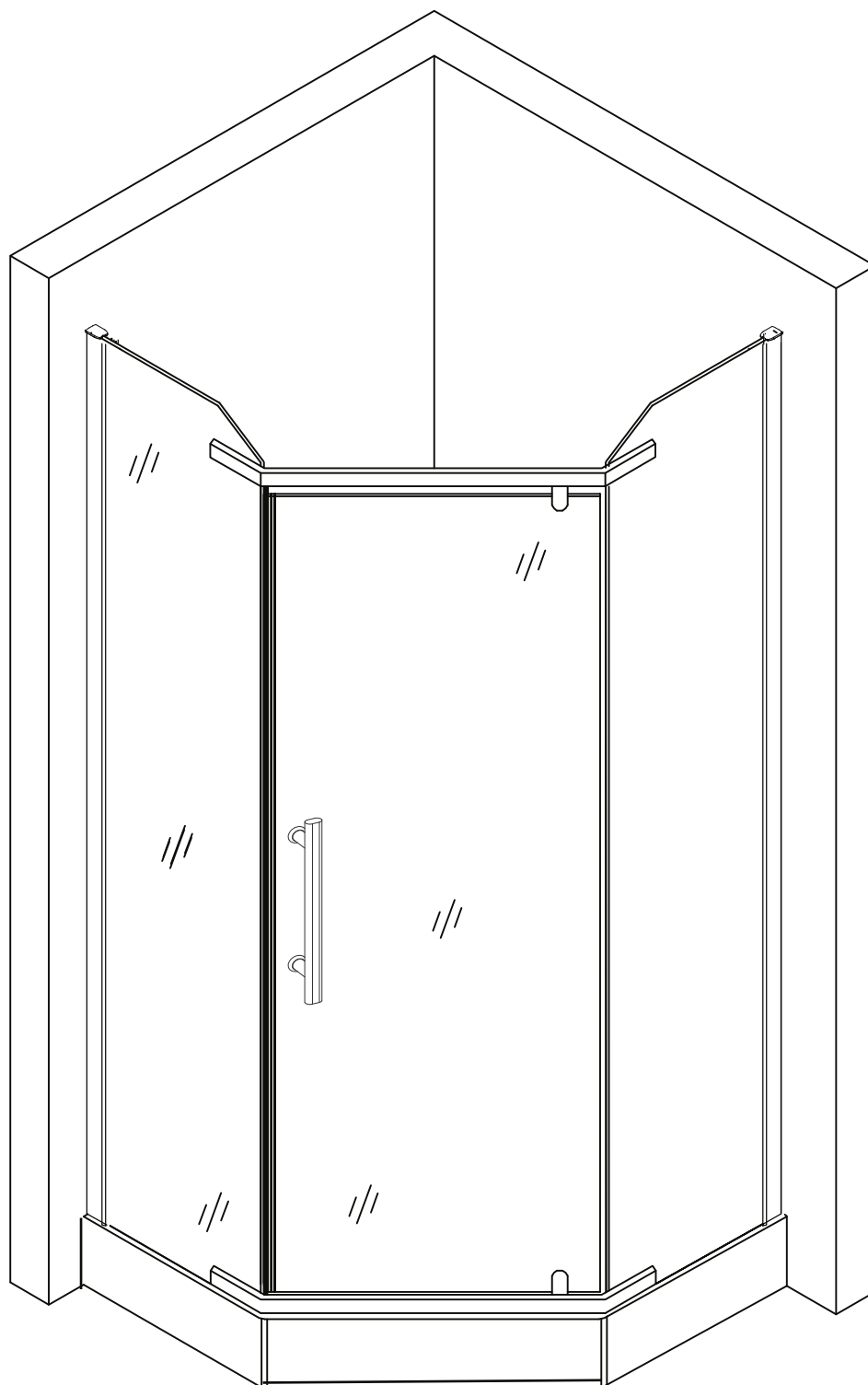




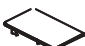
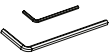




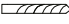
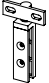


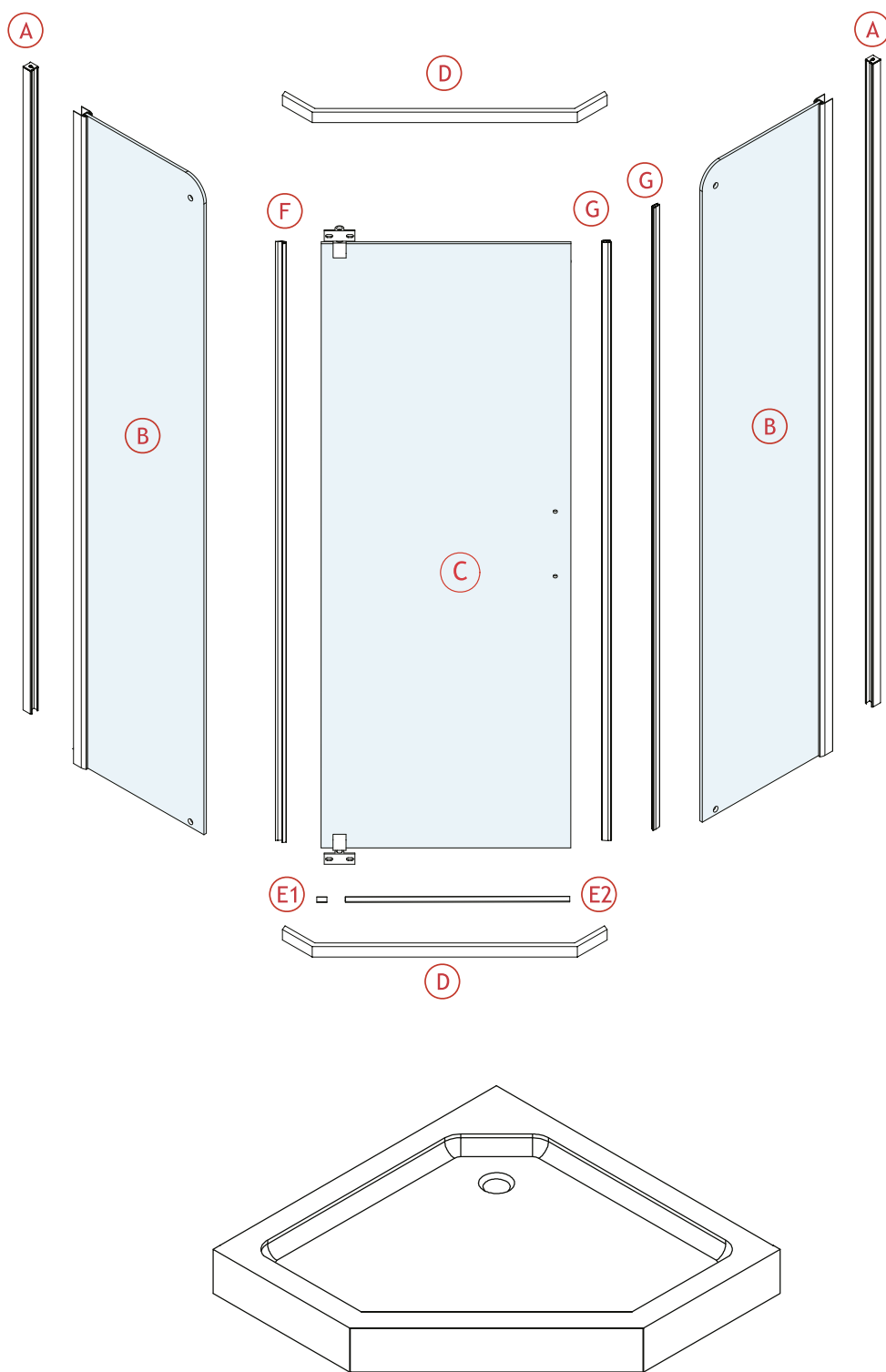
Installation Manual



**MODEL: ESR-8160/ESR-8170/
ESR-7160B/ESR-7170B**

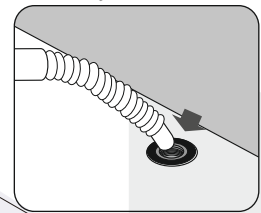
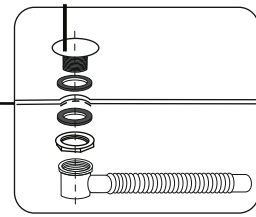
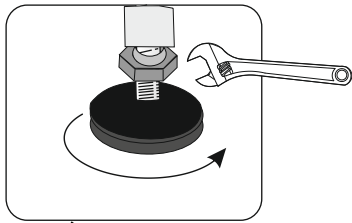
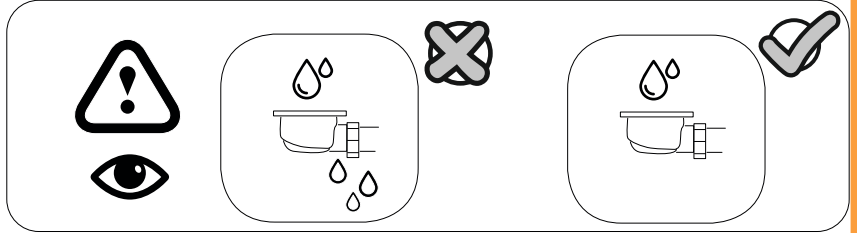
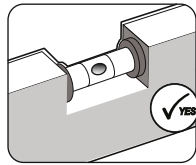
**SIZE: 900*900*2000MM
1000*1000*2000MM**

No	Element	Quantity
(H)		1x
(I)		6x
(J)	 ST4*30	6x
(K)	 ST4*10	6x
(L)		2x
(M)		1x
(N)	 M8x20	4x
(O)	 M8x25	4x
(P)		8x
(Q)		6x
(R)	 $\phi 2.8$	1x
(S)		2x

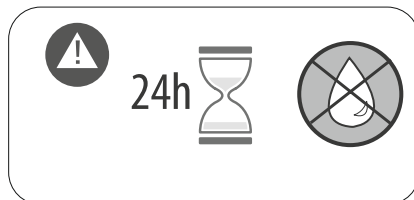
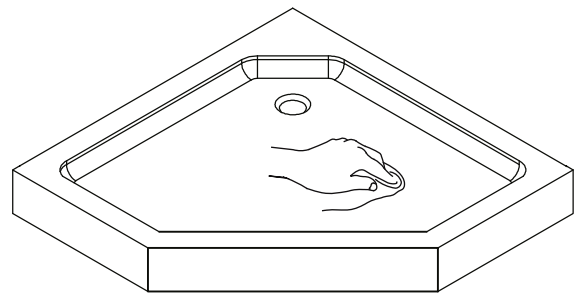
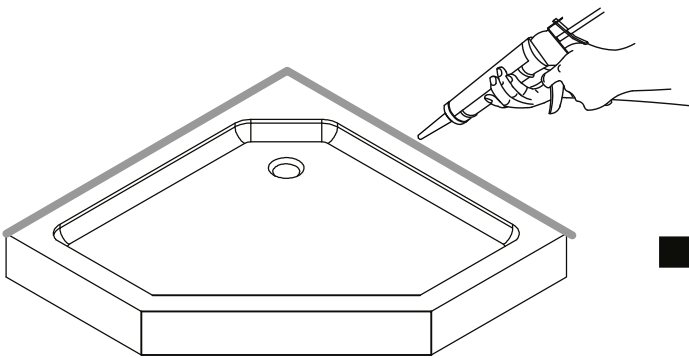




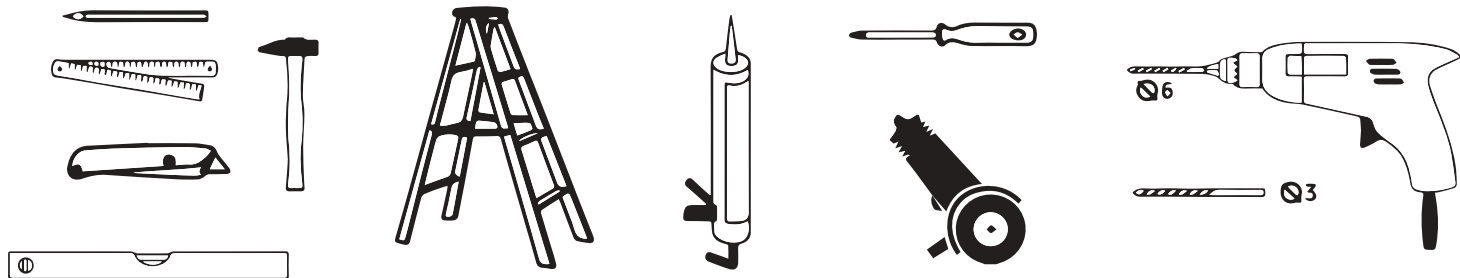
1



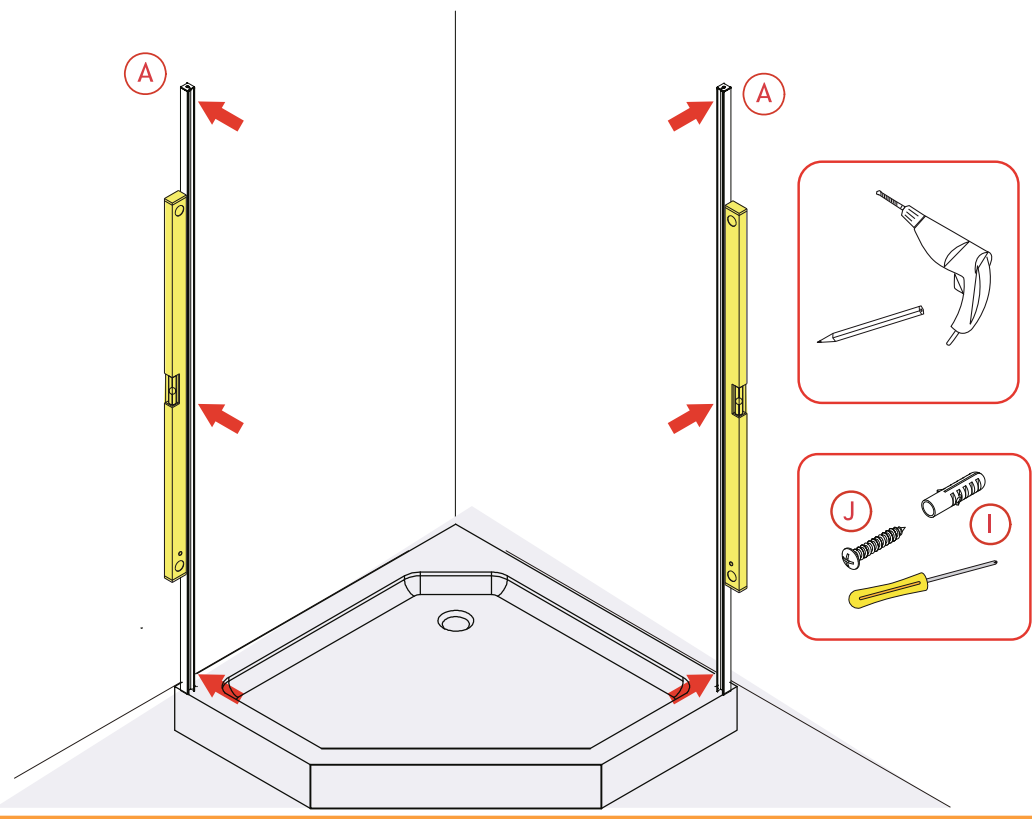
2



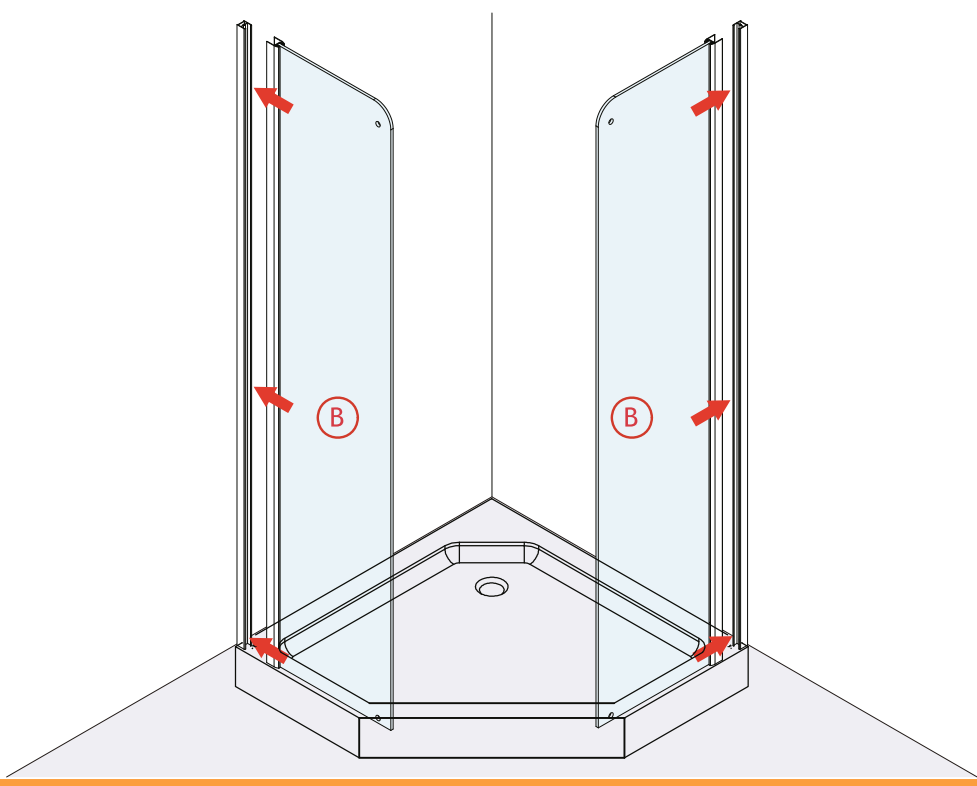
2



1

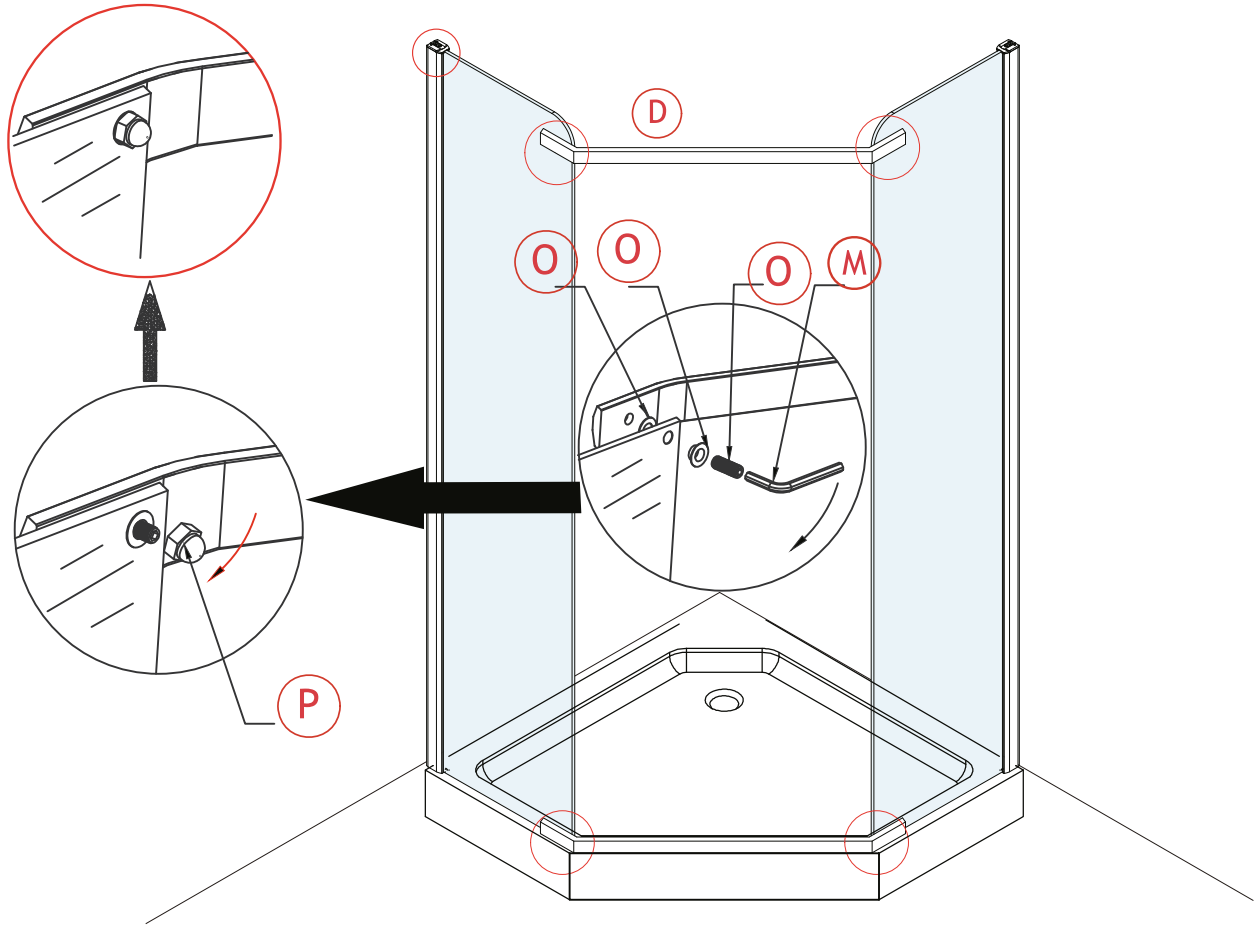


2

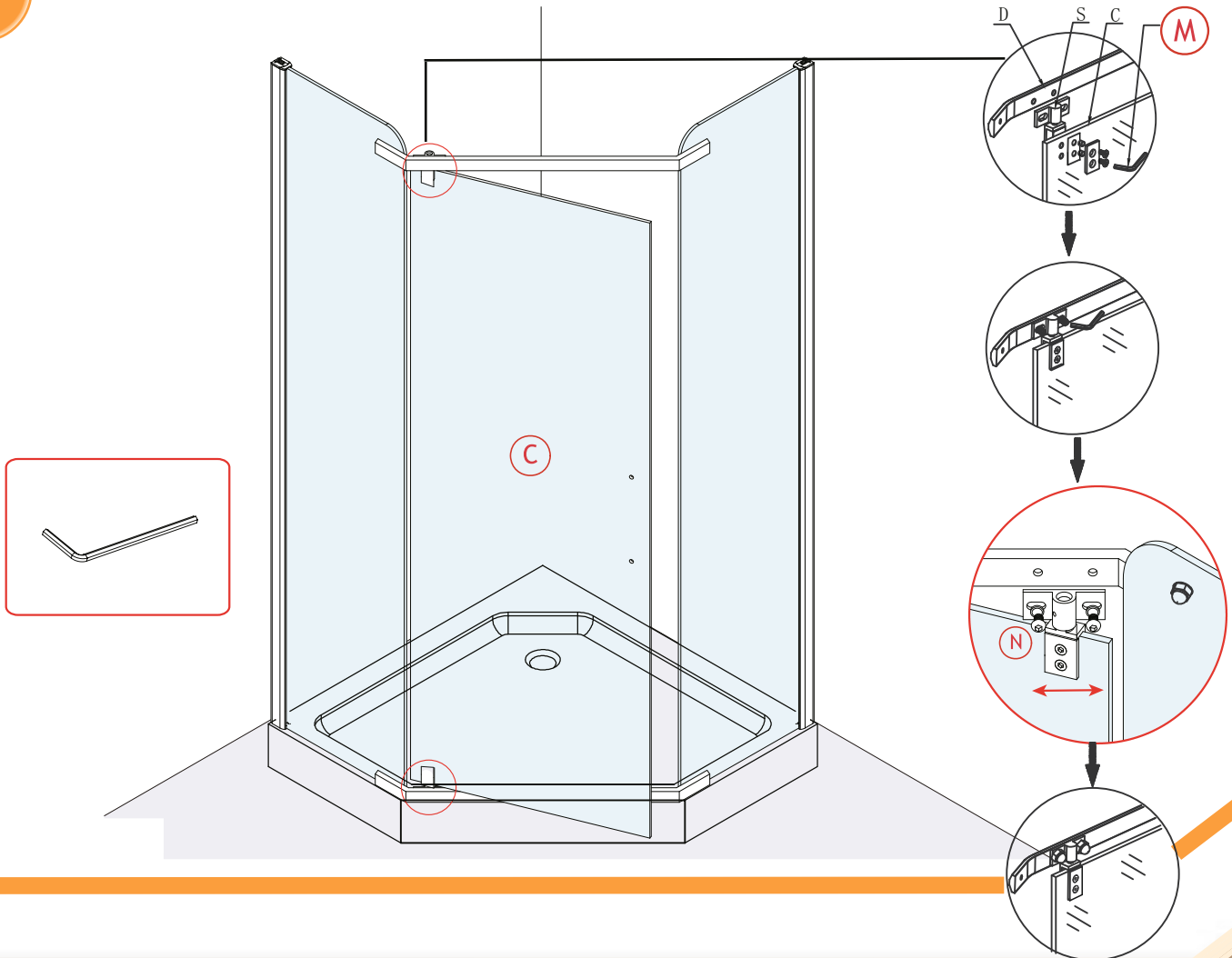


3

3



4



4

