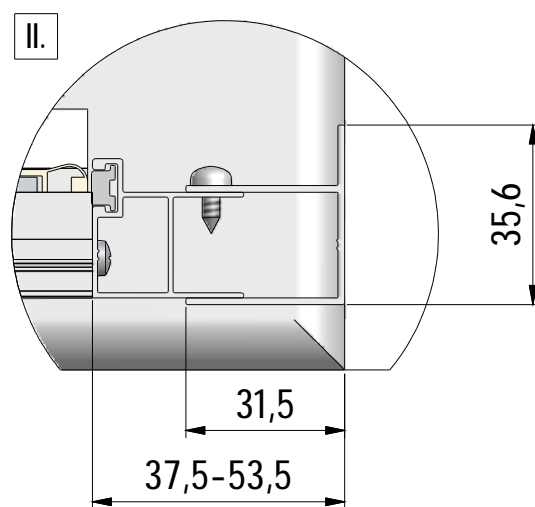
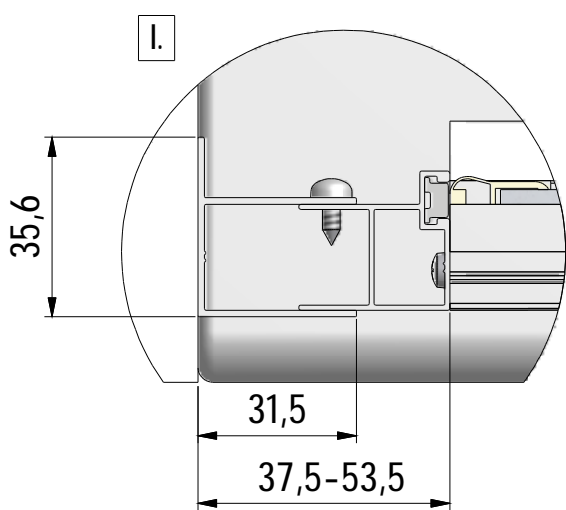
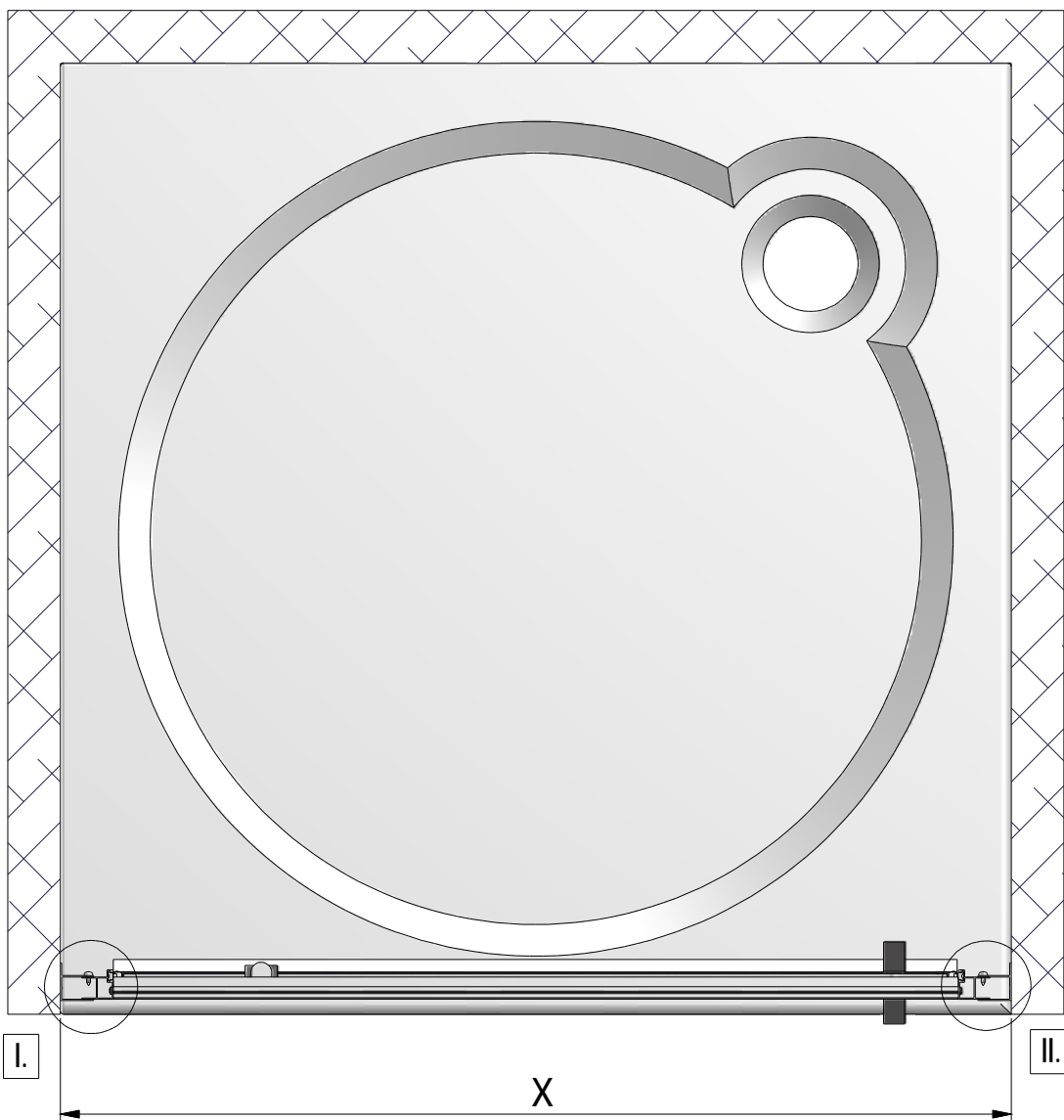


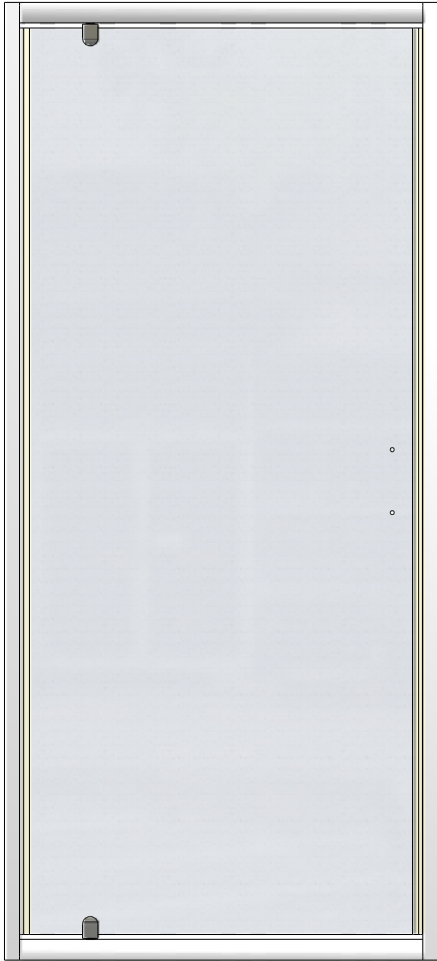
# LLD01





|      | X (MIN-MAX) |
|------|-------------|
| 700  | 675-707     |
| 800  | 775-807     |
| 900  | 875-907     |
| 1000 | 975-1007    |

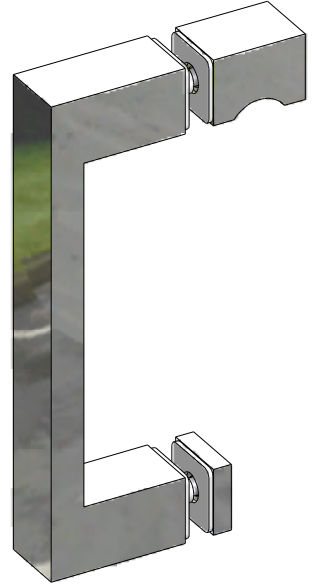
1. 1x



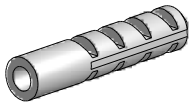
7. 2x (P3101)



22. 2x  
(MA2331)

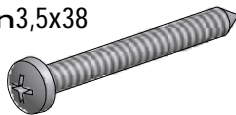


4. 6x (M0511)



5. 6x (M0795)

n3,5x38



6. 12x (MA0511)



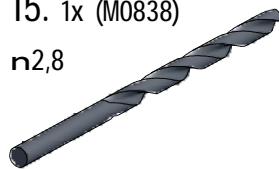
12. 6x (M0806)

n3,5x9,5

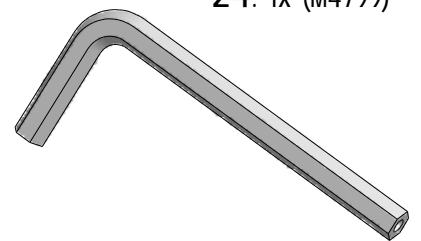


15. 1x (M0838)

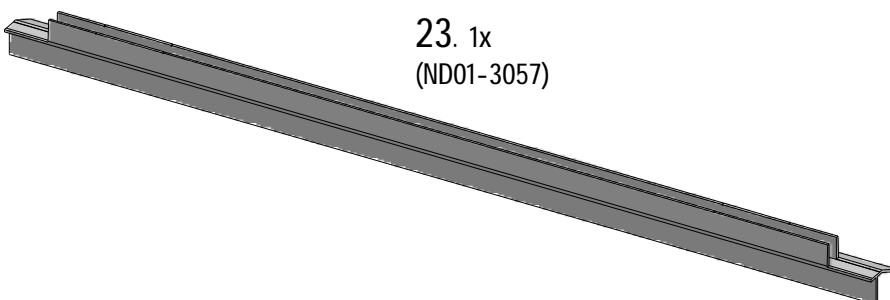
n2,8



24. 1x (M4799)

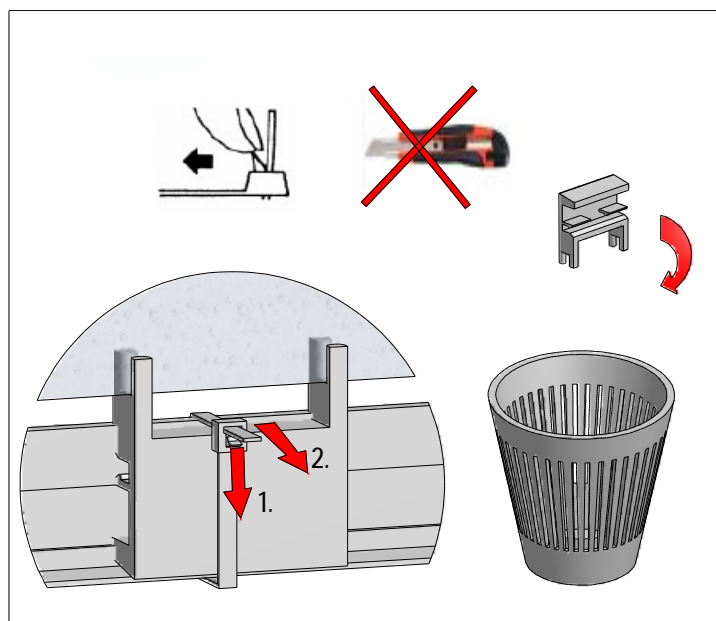
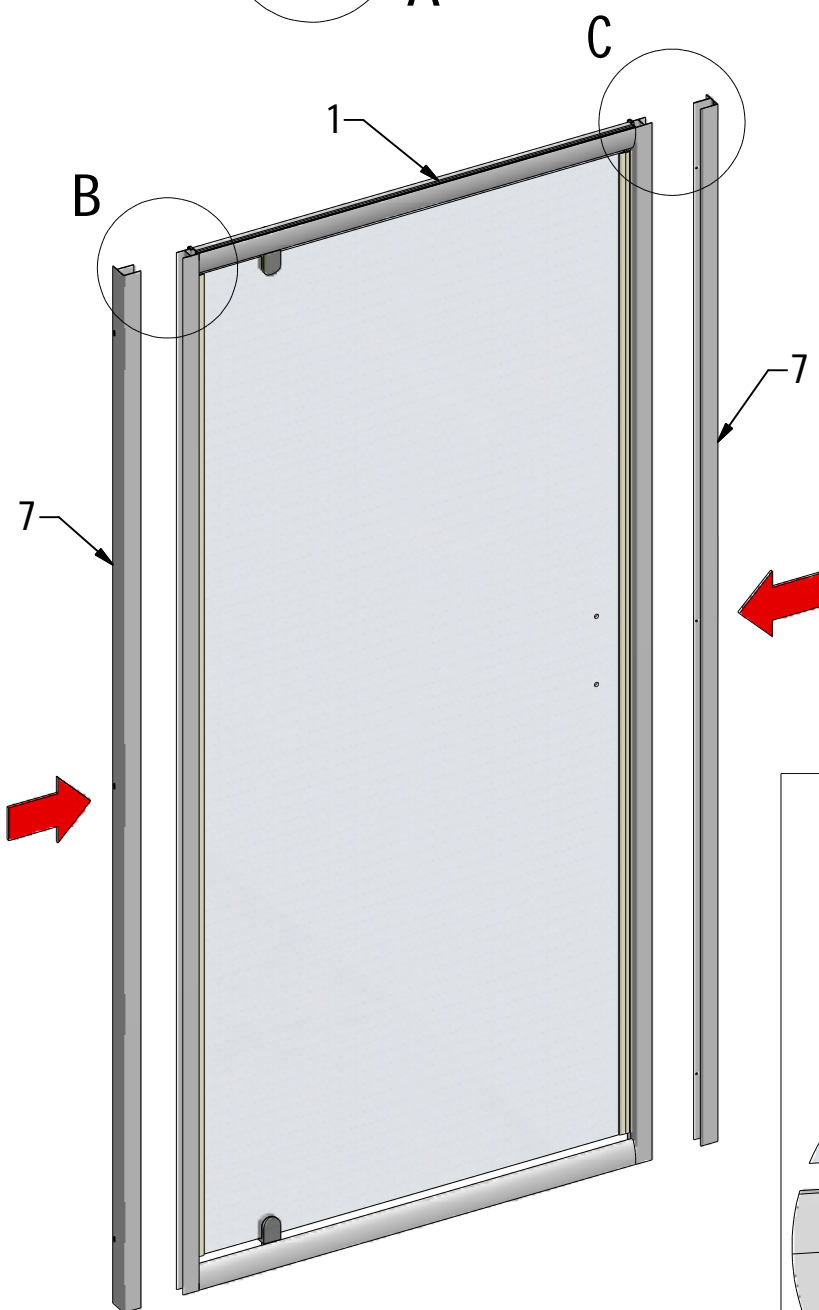
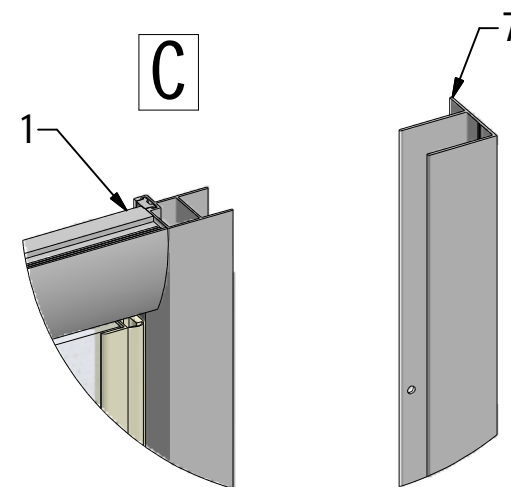
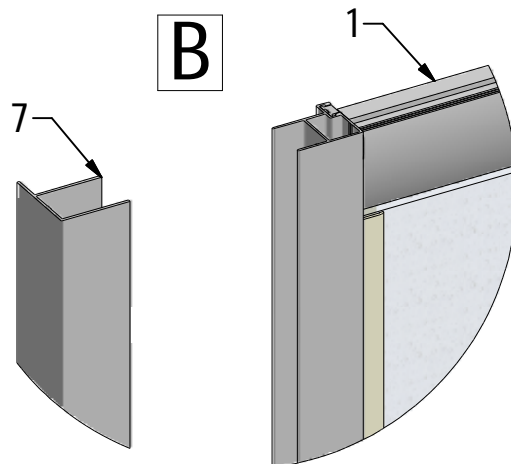
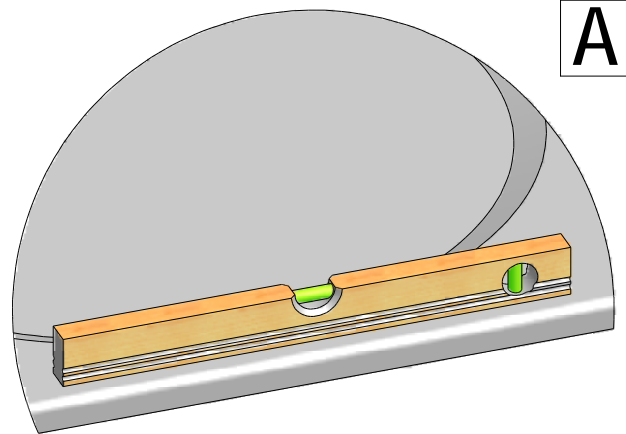
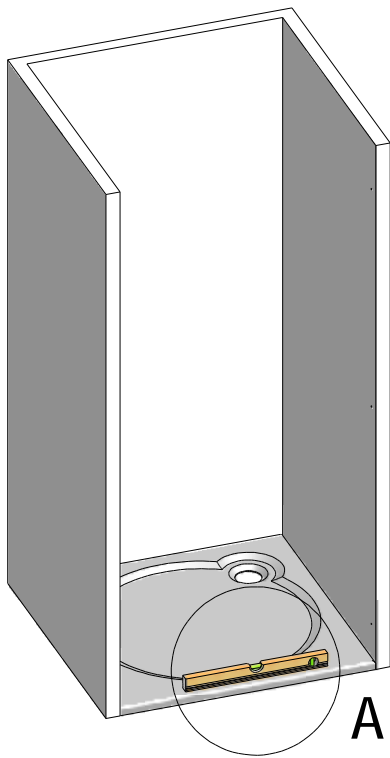


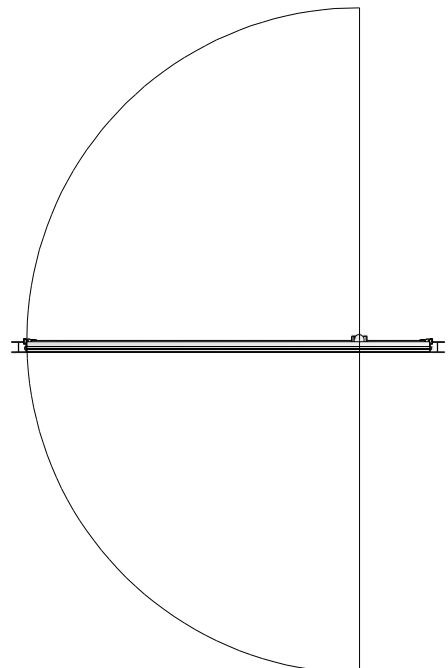
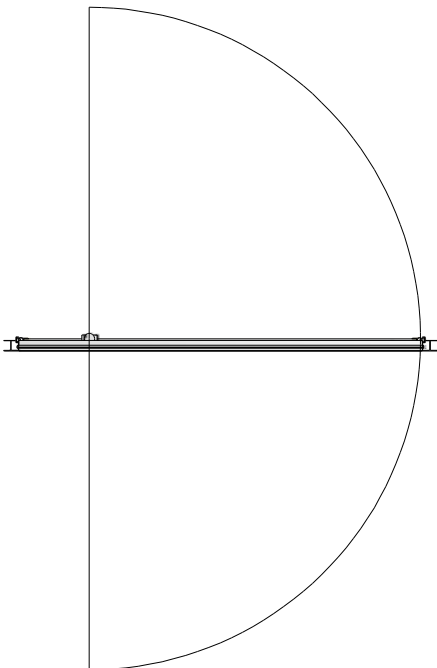
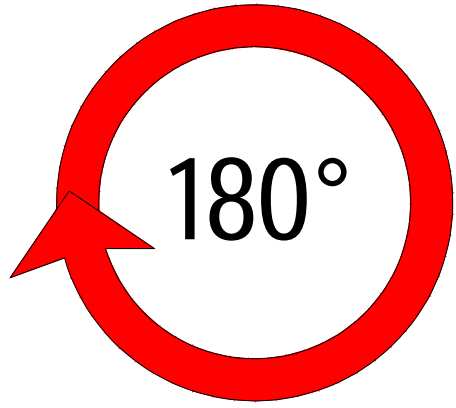
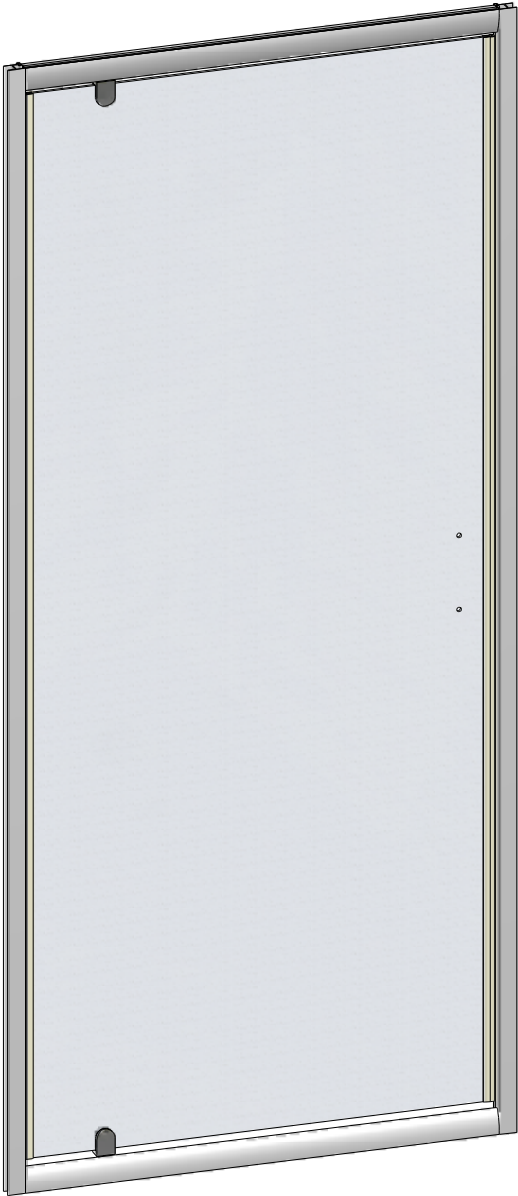
23. 1x  
(ND01-3057)



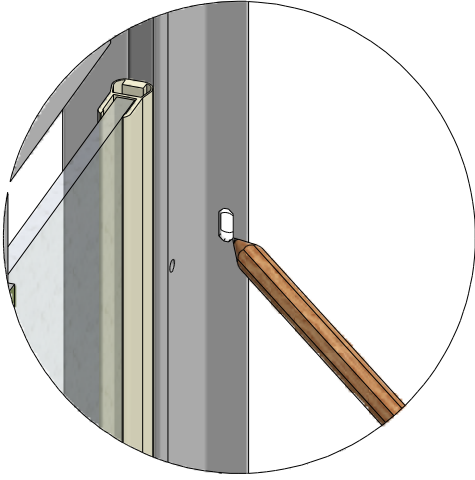
28. 1x  
(M0341)

ROLTECHNIK

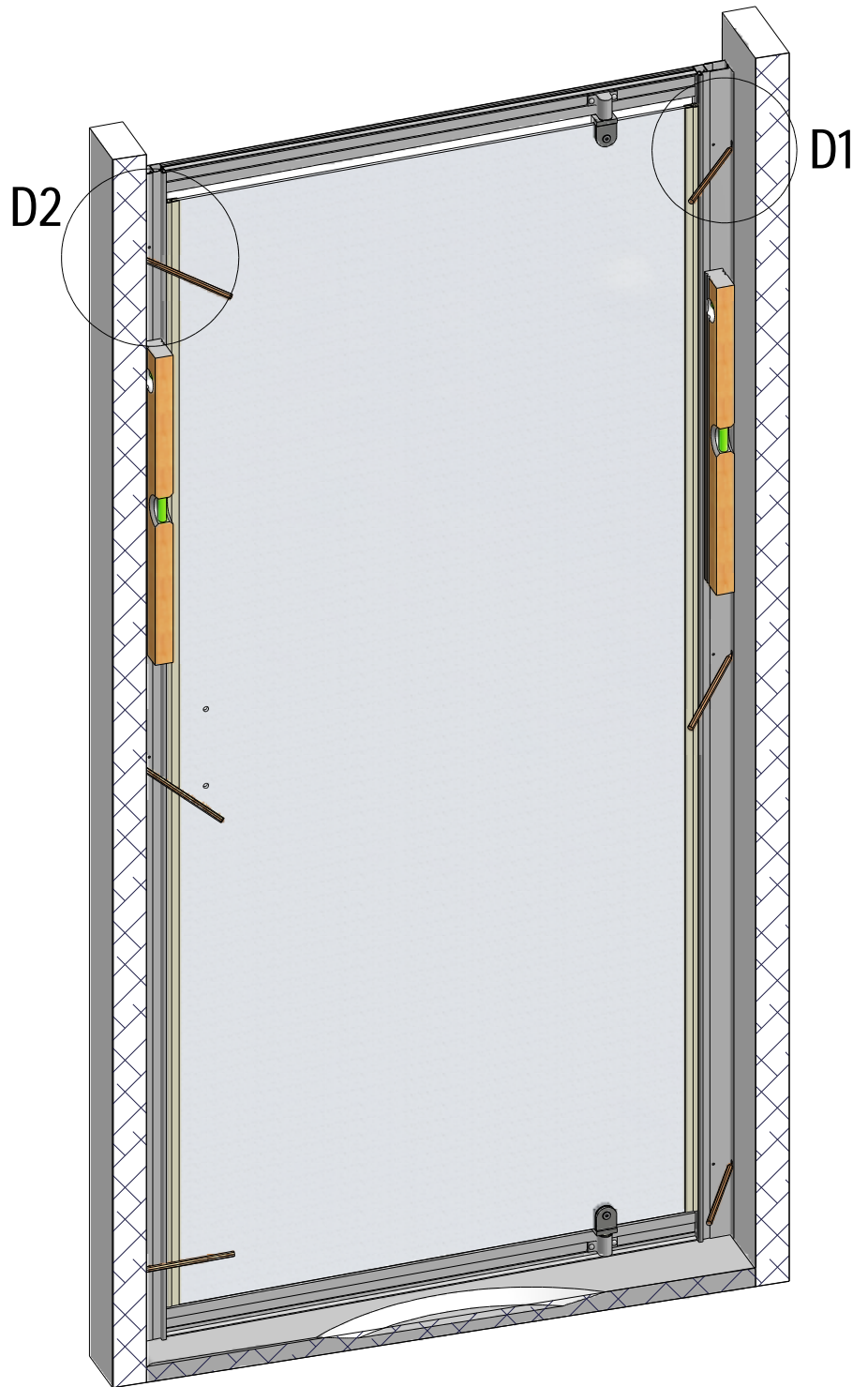
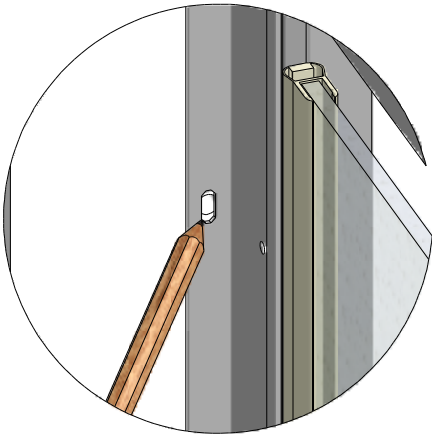


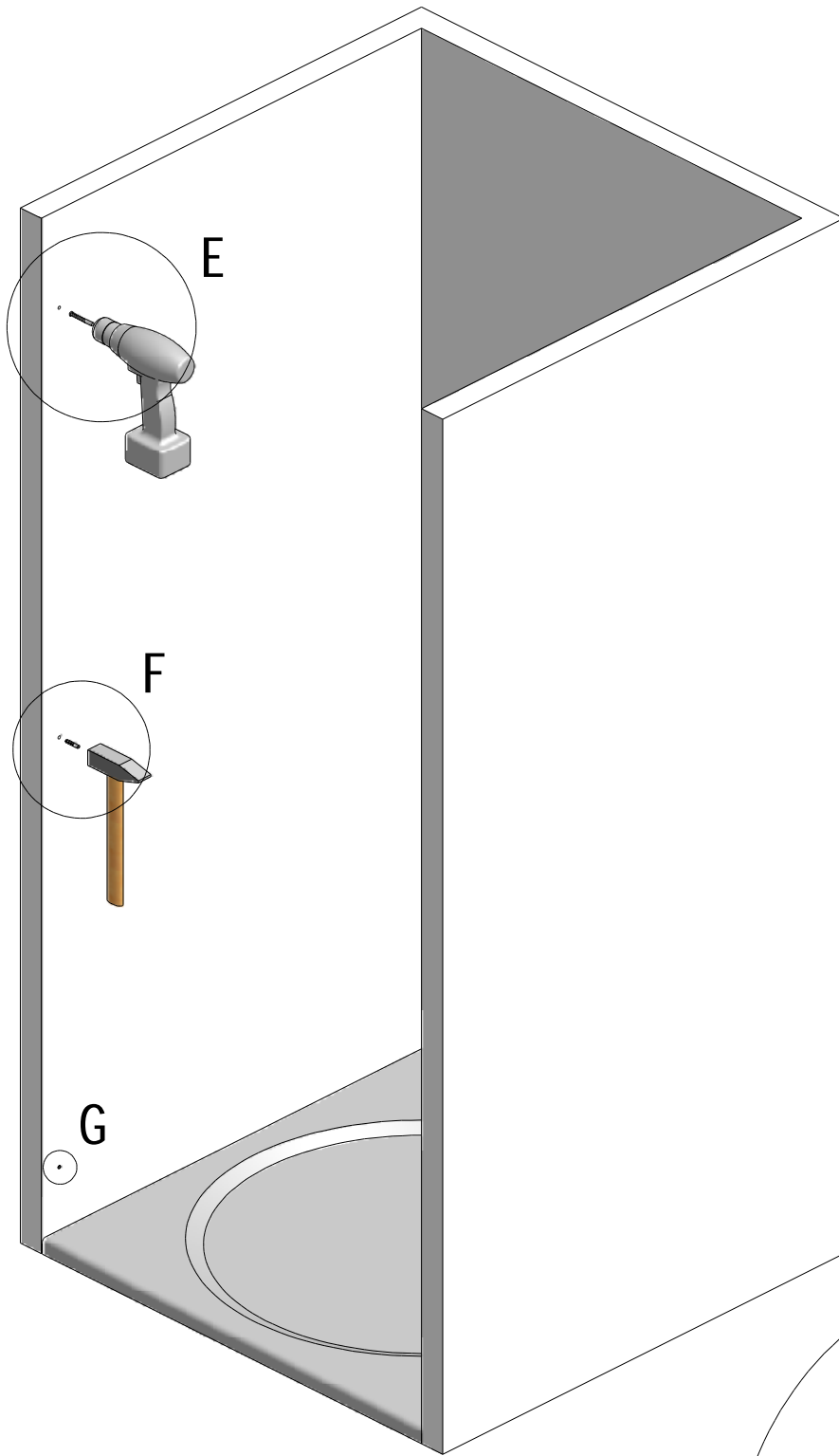
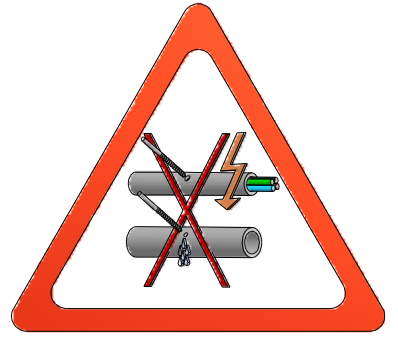


D1 3x

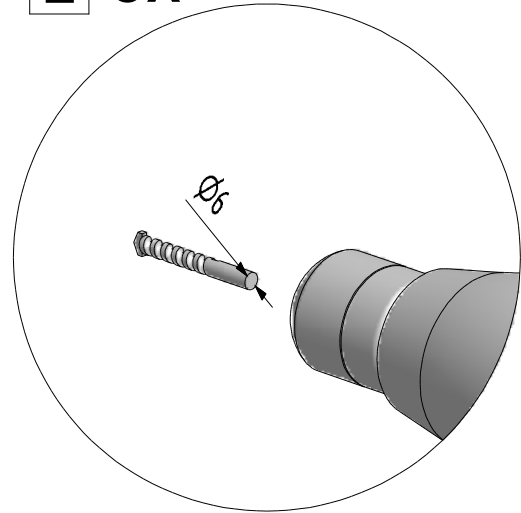


D2 3x

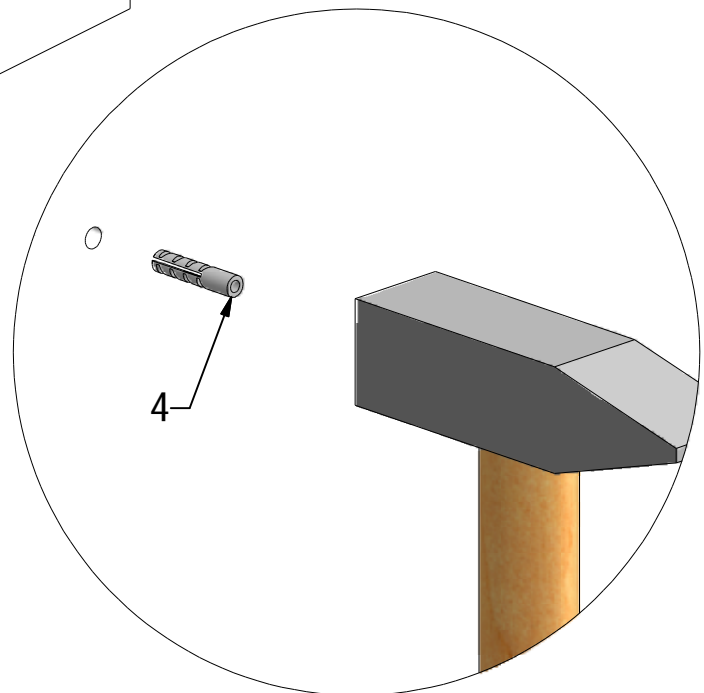




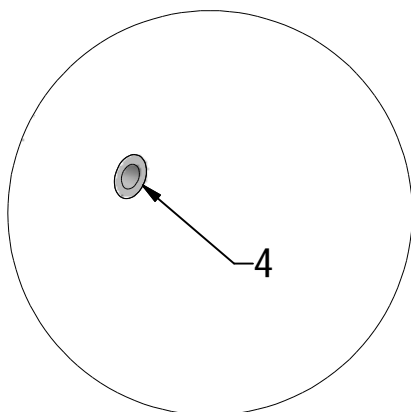
**E** 6x



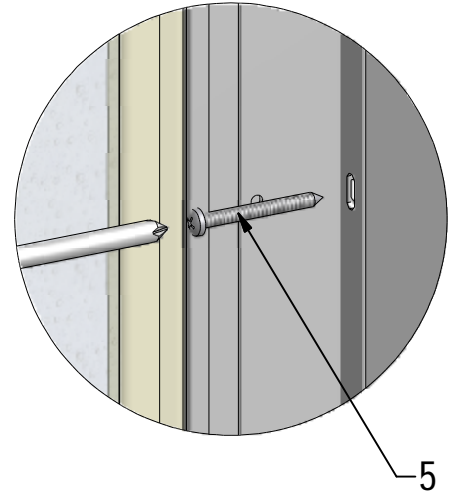
**F** 6x



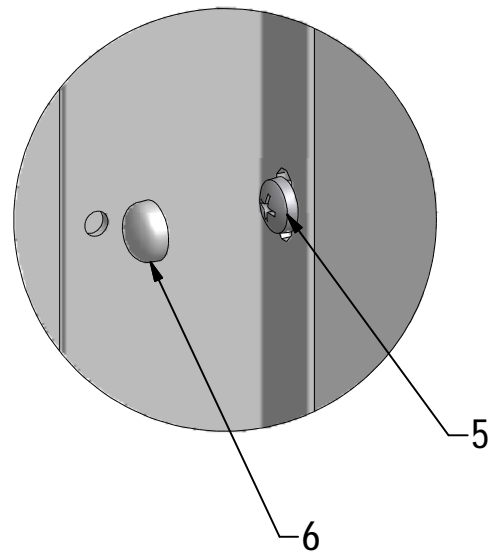
**G** 6x



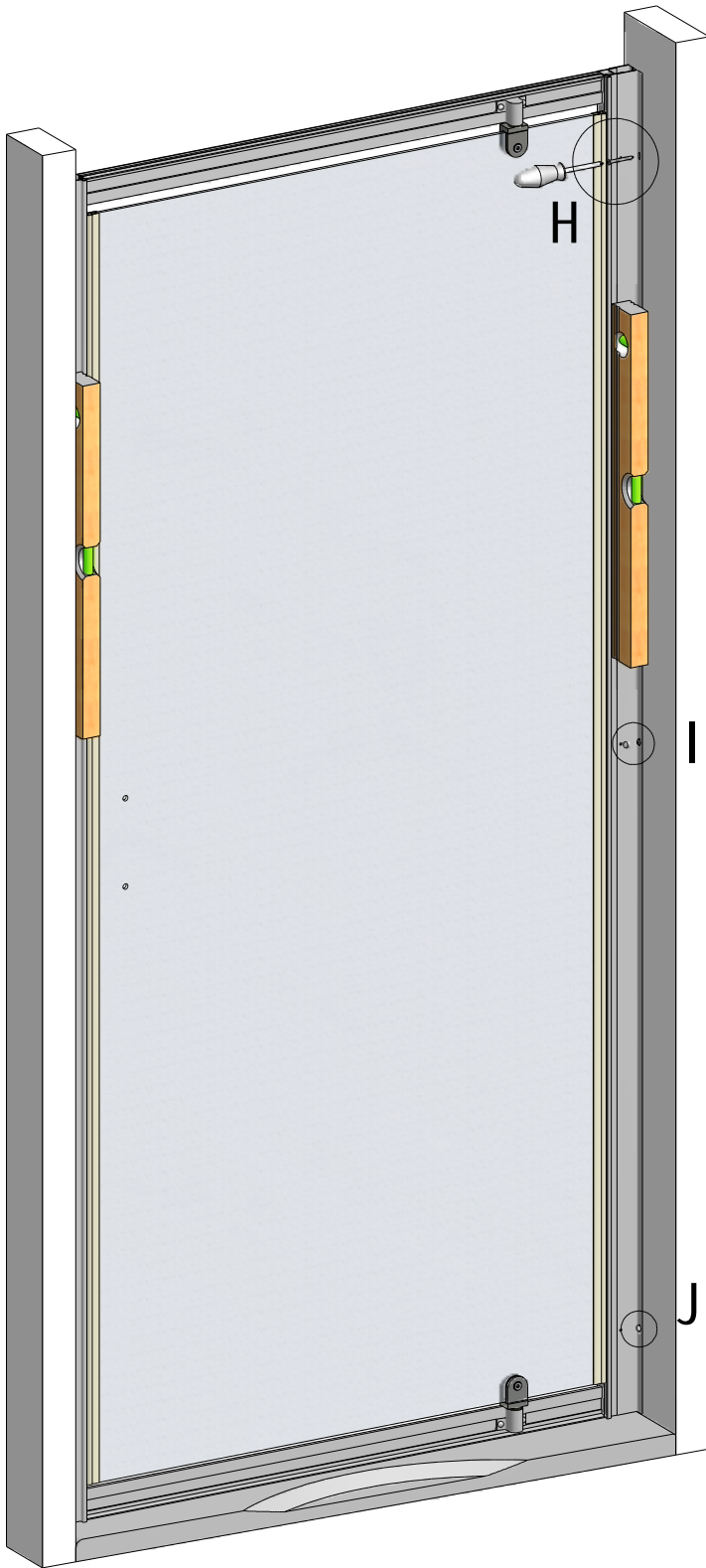
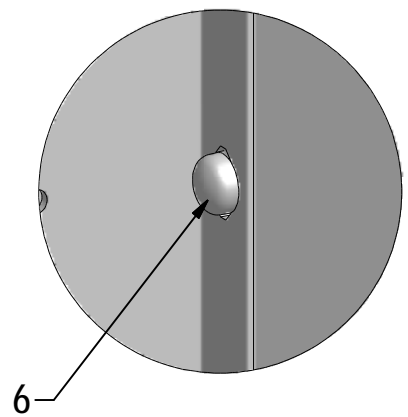
**H** 6x



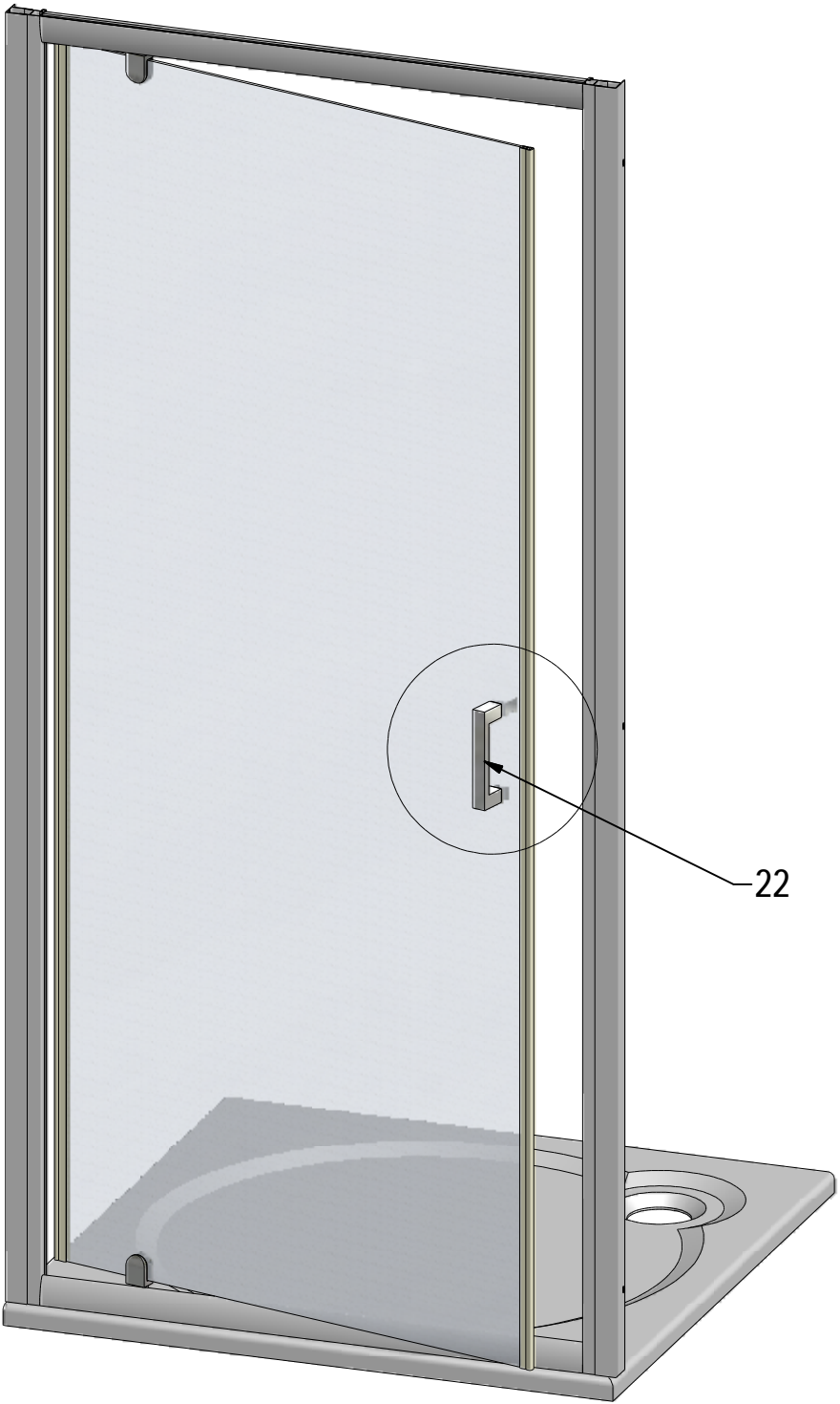
**I** 6x



**J** 6x

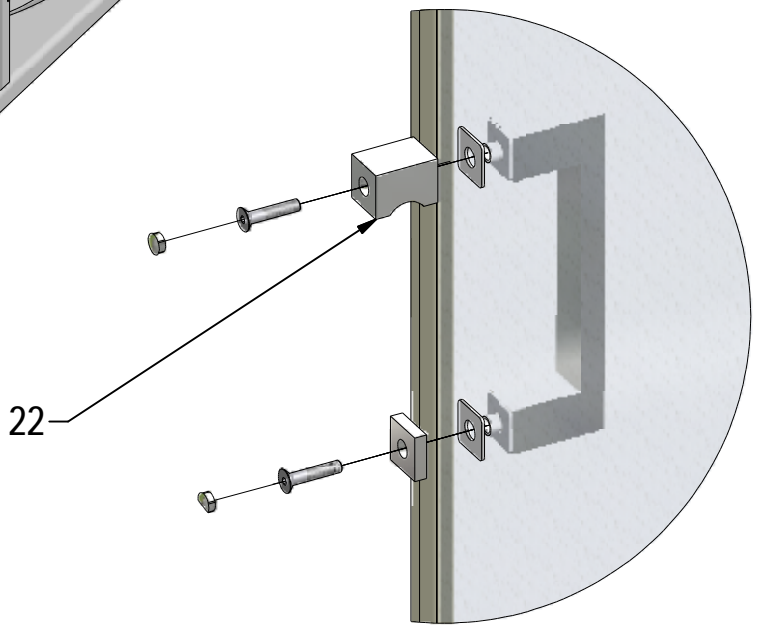






22

K

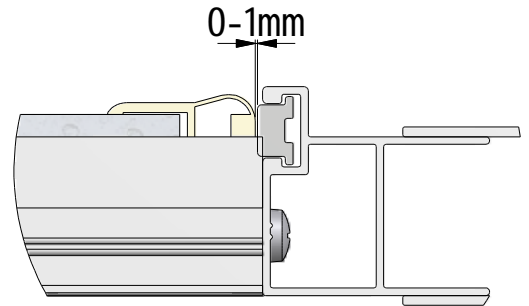
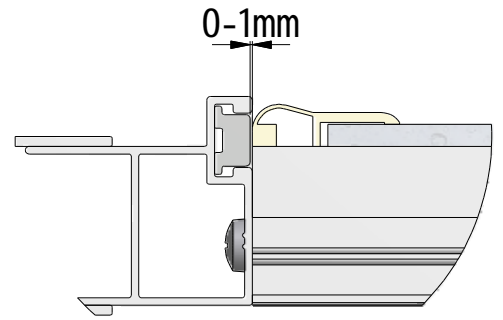


22

a=a

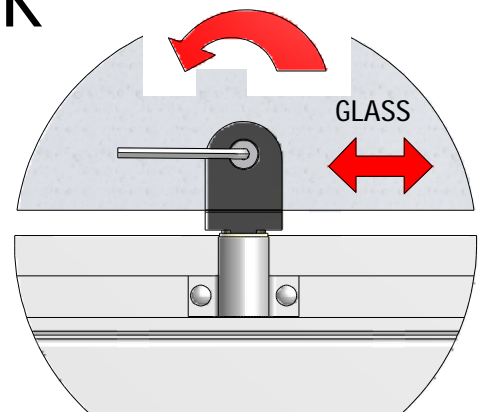
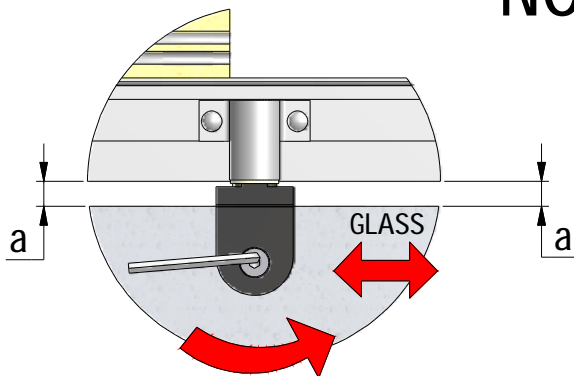


OK

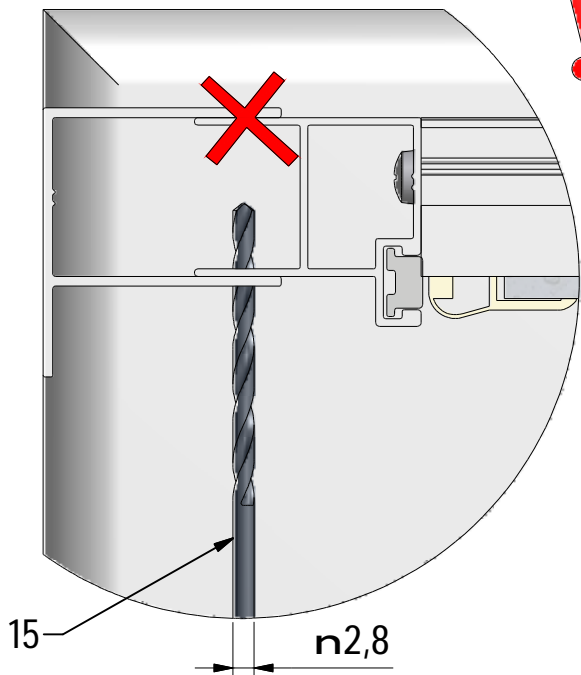


L

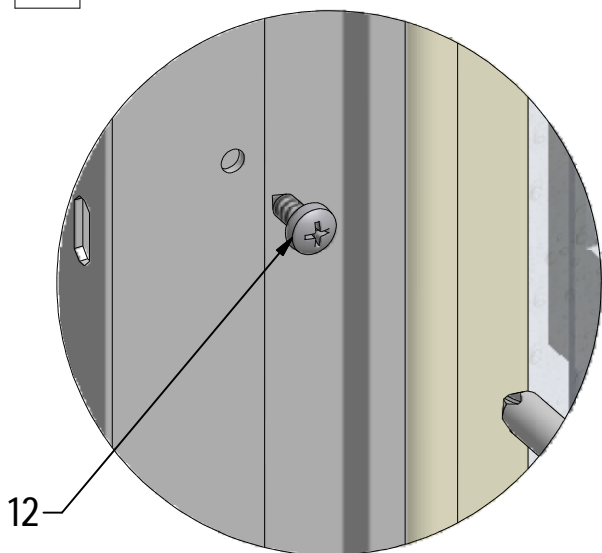
NOT OK



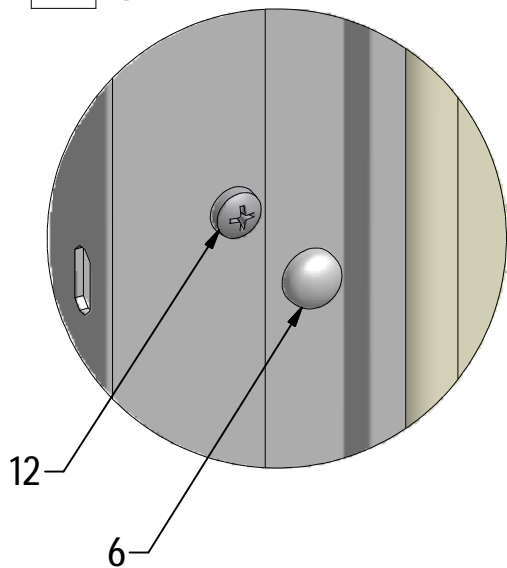
**M 6x**

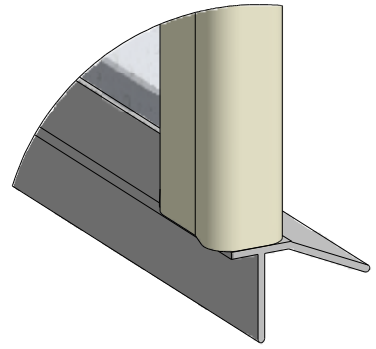


**N 6x**

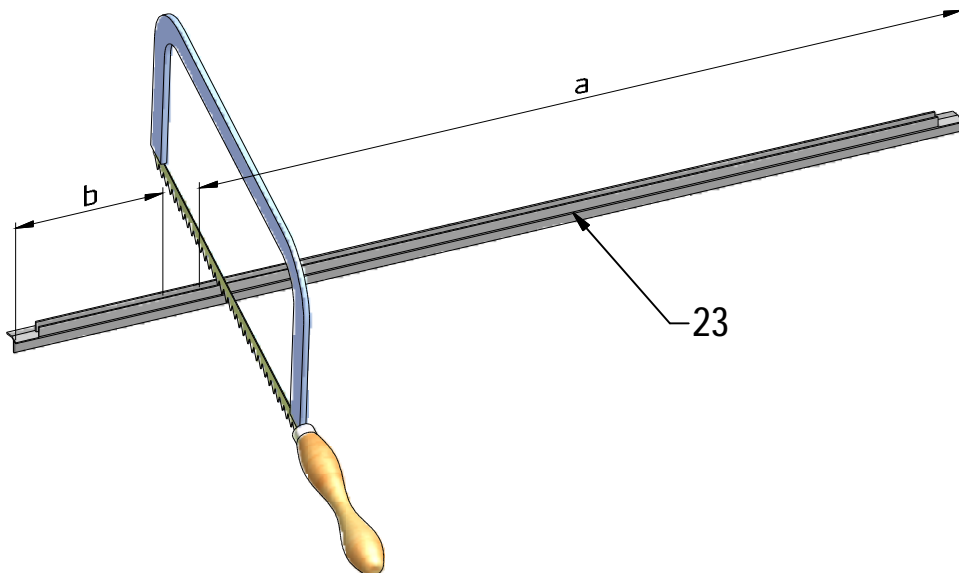
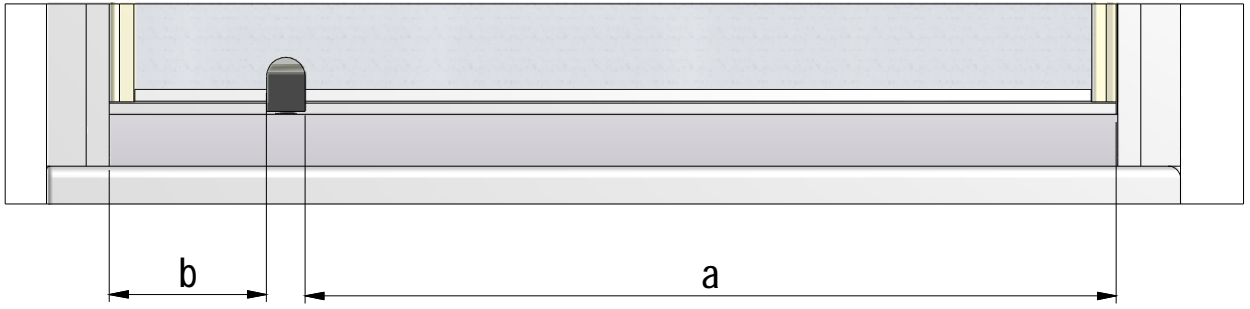


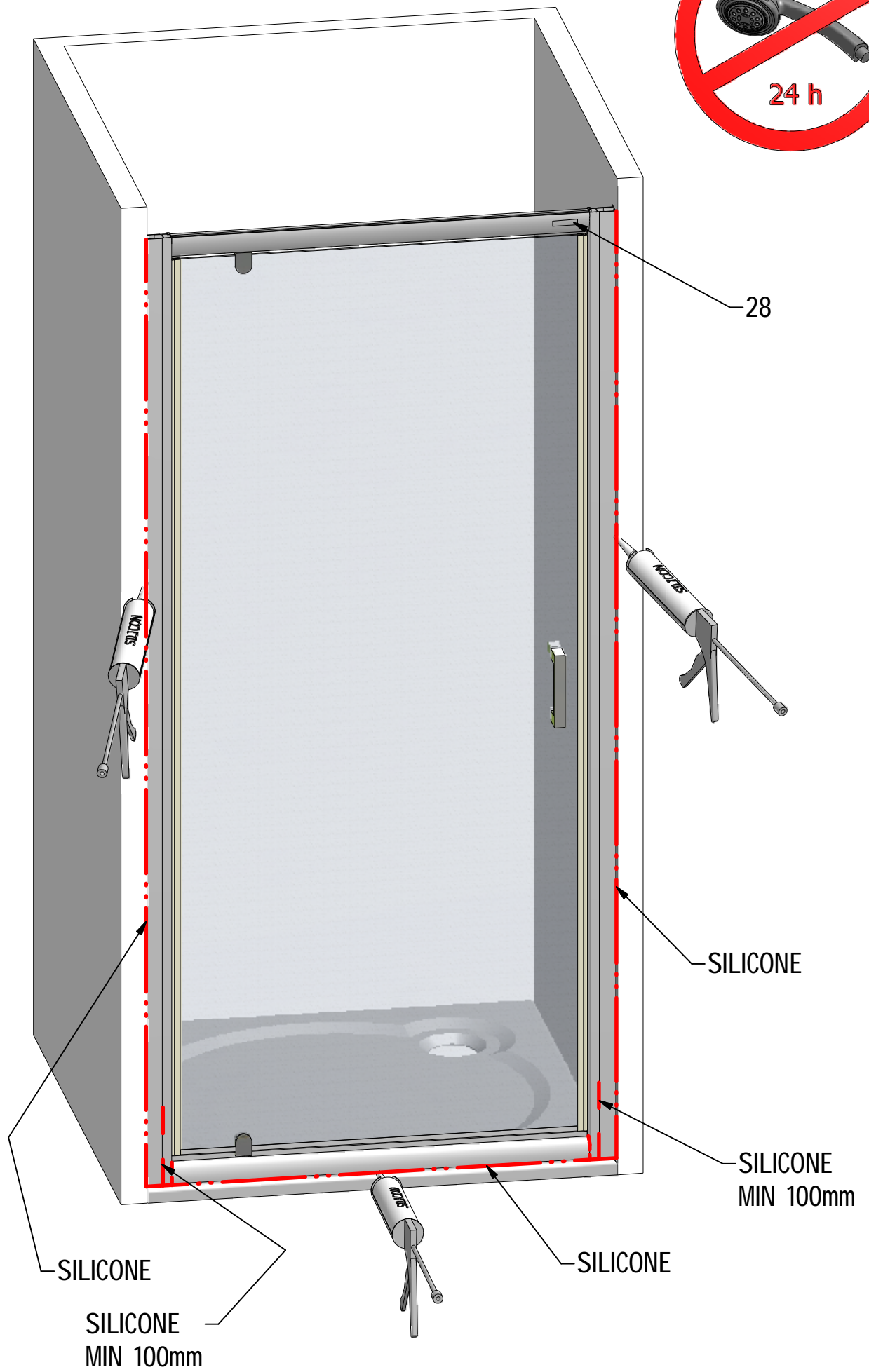
**O 6x**

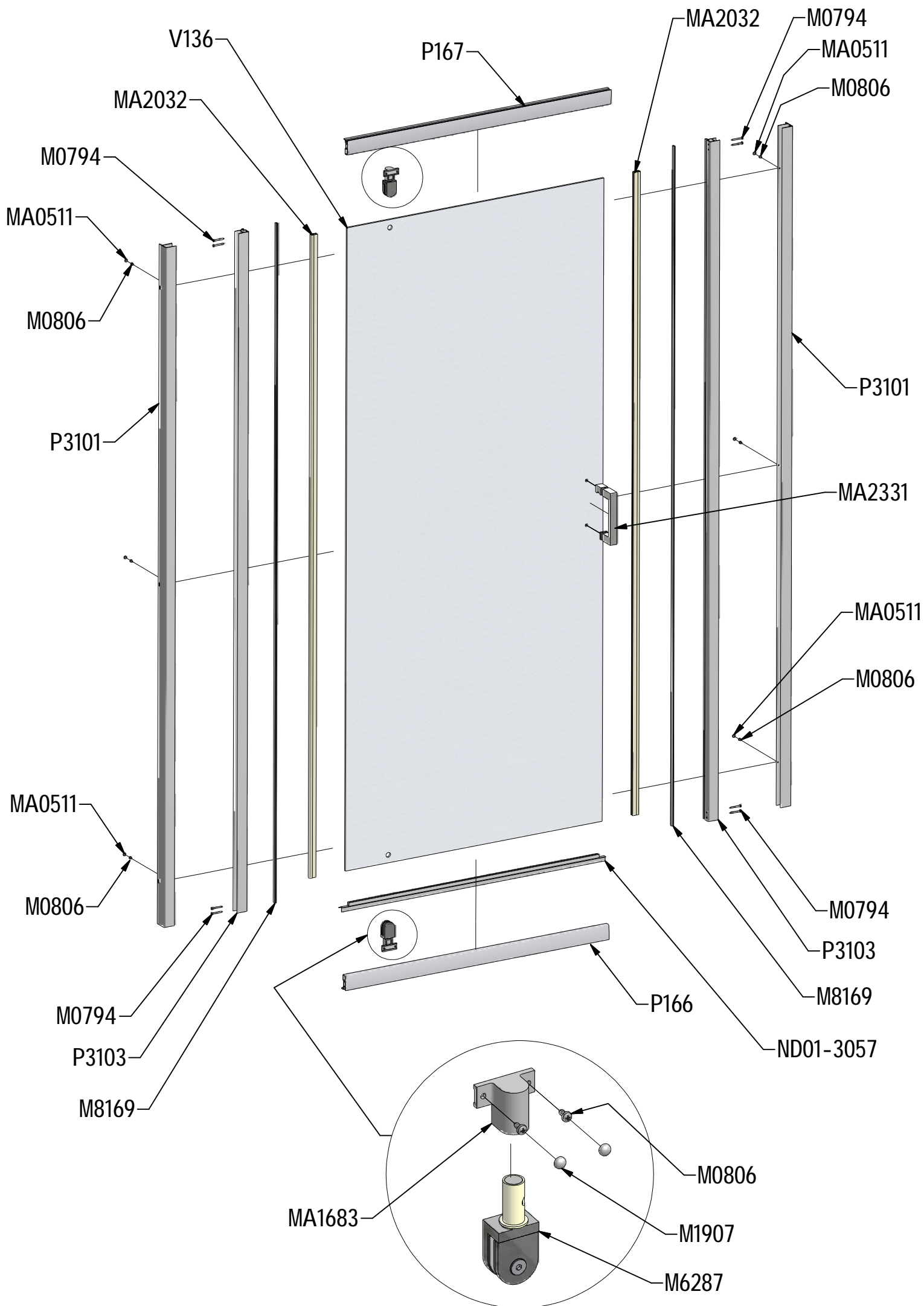




P







|      |      |             |              |
|------|------|-------------|--------------|
| V136 | 700  | clear glass | ND02-0678-02 |
|      | 800  | clear glass | ND02-0679-02 |
|      | 900  | clear glass | ND02-0680-02 |
|      | 1000 | clear glass | ND02-0681-02 |

|      |      |          |       |
|------|------|----------|-------|
| P166 | 700  | brillant | P3346 |
|      | 800  |          | P3347 |
|      | 900  |          | P3348 |
|      | 1000 |          | P3349 |

|      |      |          |       |
|------|------|----------|-------|
| P167 | 700  | brillant | P3350 |
|      | 800  |          | P3351 |
|      | 900  |          | P3352 |
|      | 1000 |          | P3353 |

