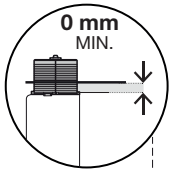
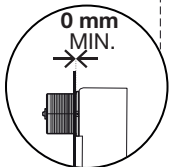


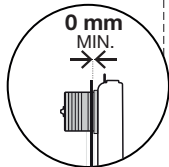
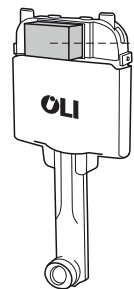
(dimensions in millimeters)



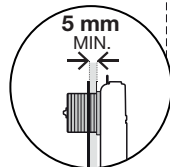
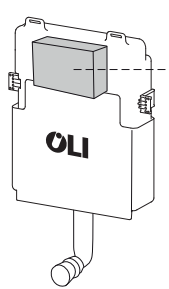
EXPERT PLUS



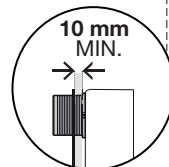
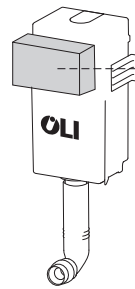
OLI74 PLUS



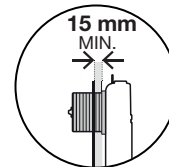
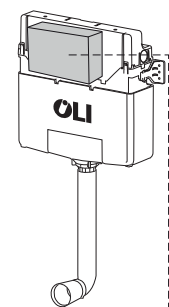
BETTER



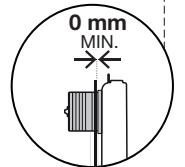
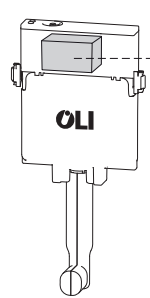
QUADRA PLUS



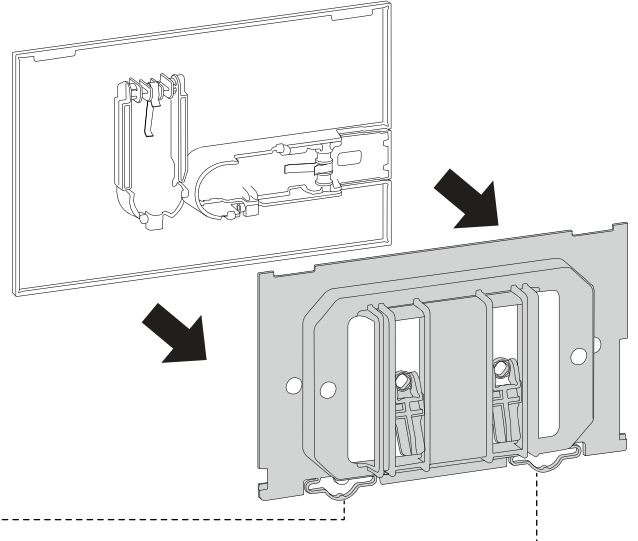
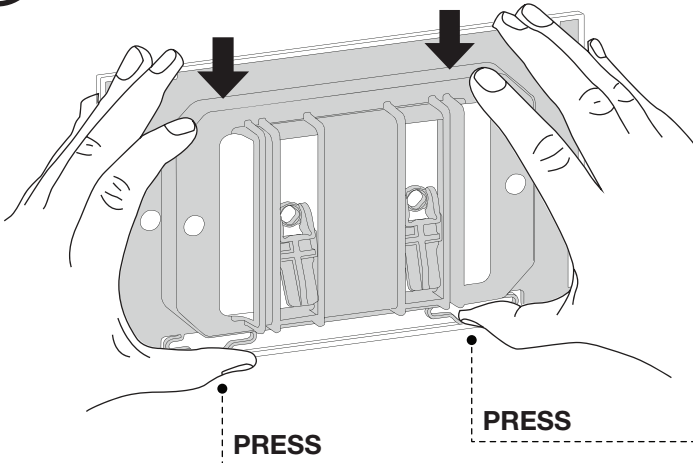
OLI120 PLUS



OLI180

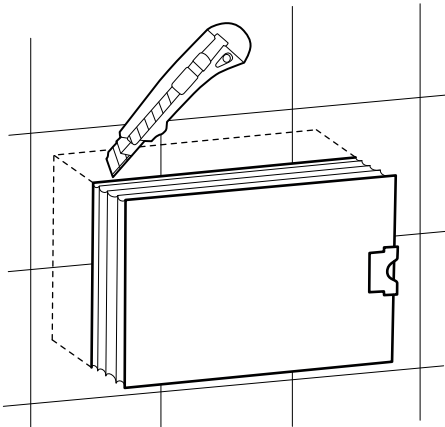


i

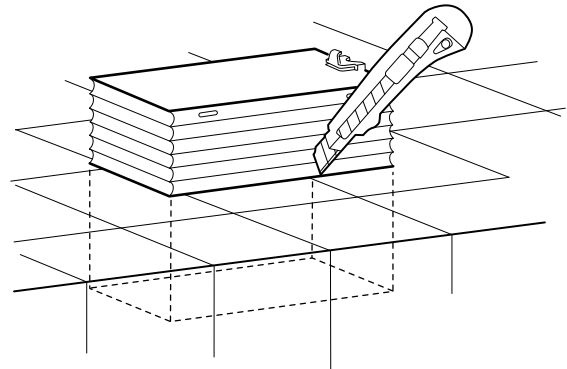


1

FRONT

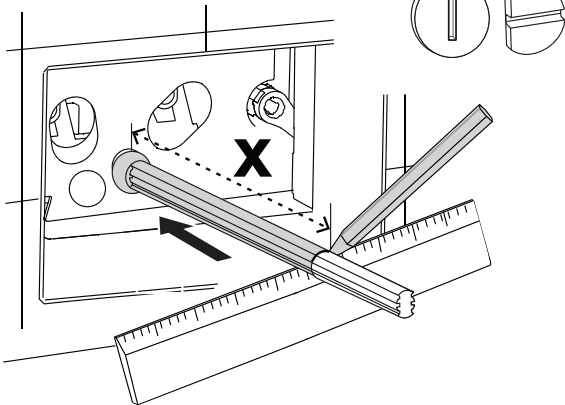


TOP



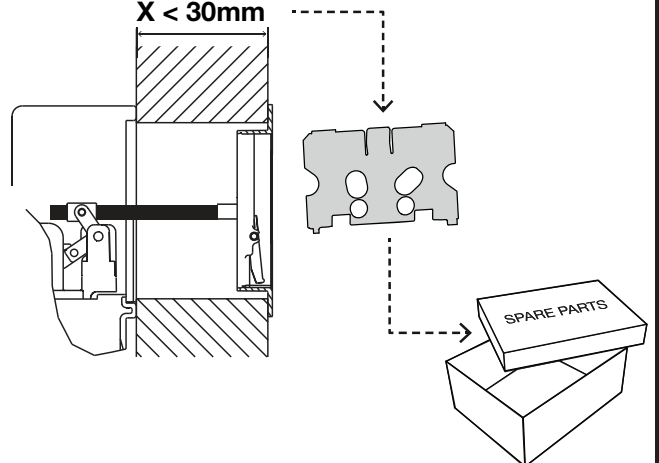
2

x2 x2



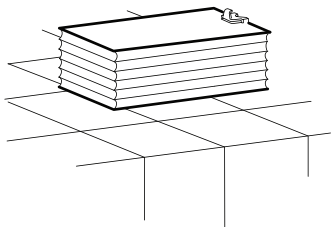
3

X < 30mm

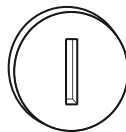


3

TOP



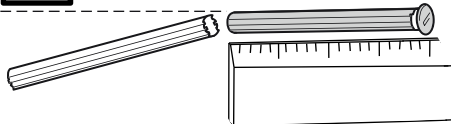
x2



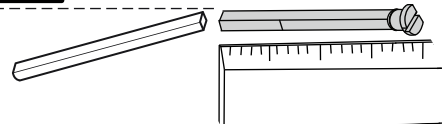
x2



← X + 10mm →

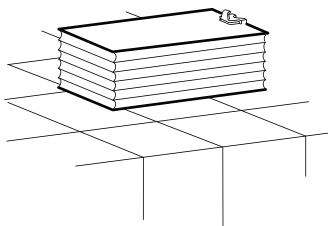


← X + 75mm →



3

TOP



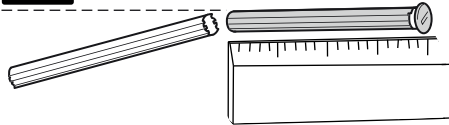
x2



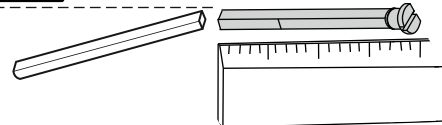
x2



← X + 10mm →



← X + 75mm →



4

x2

